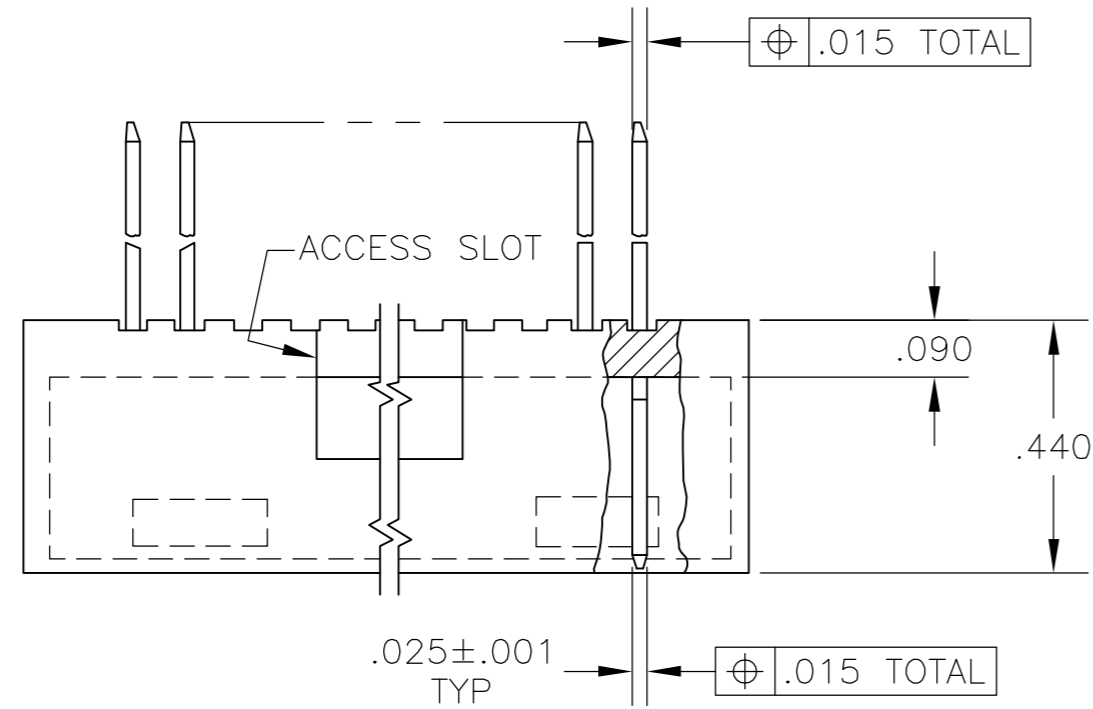
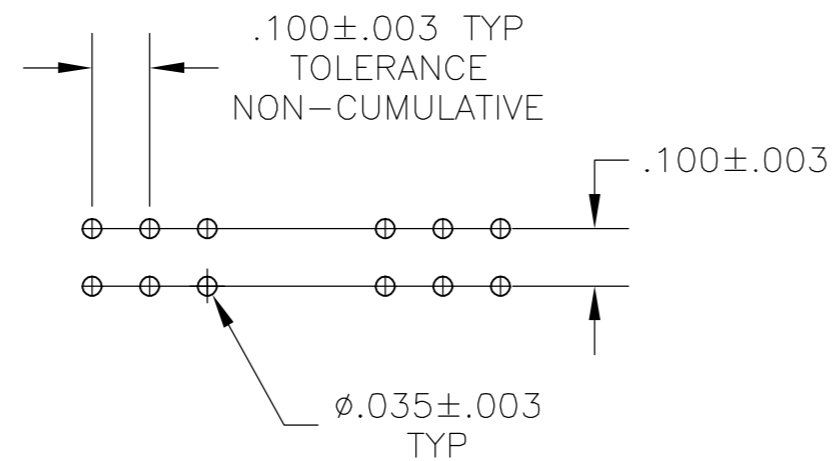
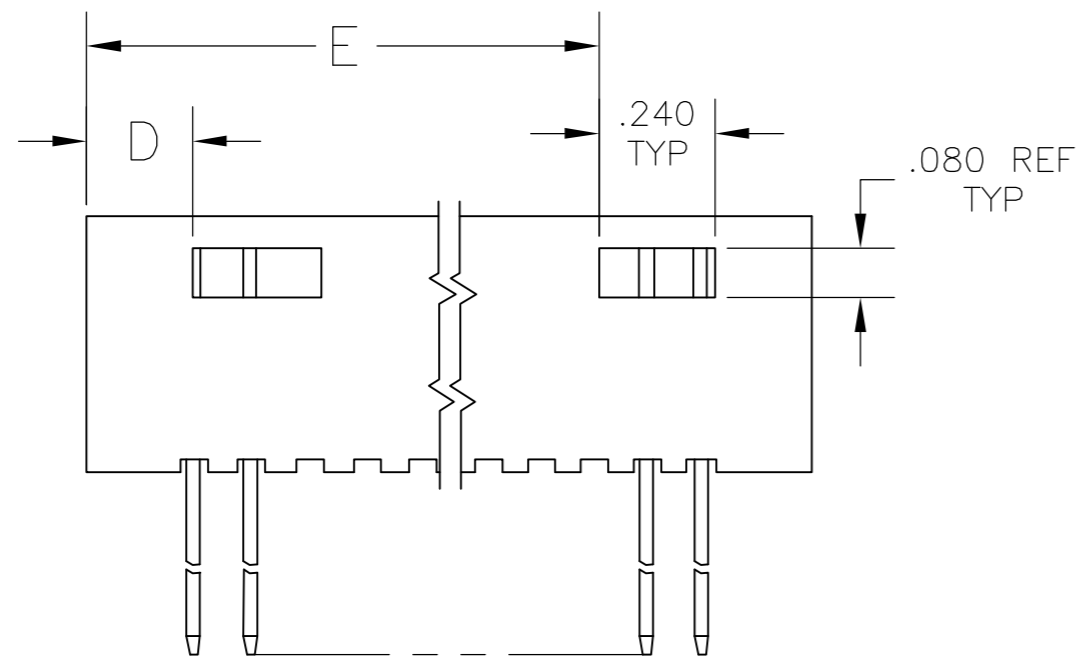
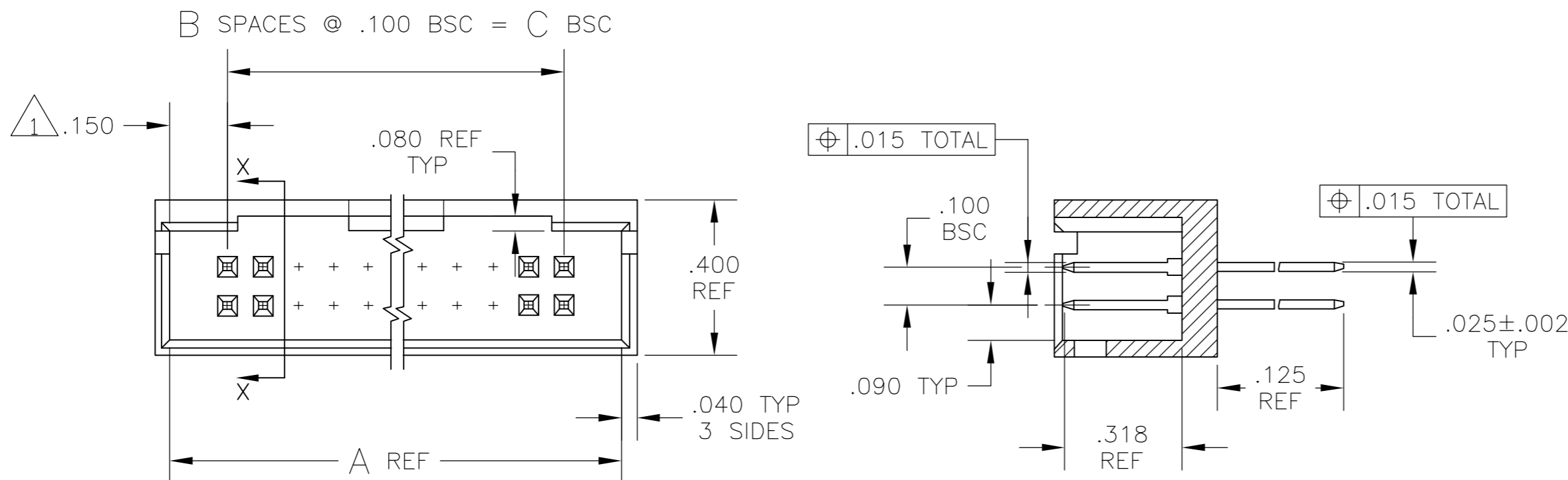


THIS DRAWING IS UNPUBLISHED. RELEASED FOR PUBLICATION
 © COPYRIGHT BY TYCO ELECTRONICS CORPORATION. ALL RIGHTS RESERVED.

| LOC | | DIST | | REVISIONS | | | |
|-----|----|------|-----|-----------------|---------|-----|------|
| AD | 00 | P | LTR | DESCRIPTION | DATE | DWN | APVD |
| | | M | | EC 0G3C 0216 05 | 12DEC05 | BSV | JLG |



- 1 WILL ALSO MATE W/OTHER CONNECTORS WHICH ARE COMPATIBLE WITH THE $.150$ END DIM. WILL MATE W/MOD IV HAVING FOUR EXTRA EMPTY CIRCUITS (TWO EACH END -- EX: 20 POS HDR. POST HDR. WILL MATE W/24 POS. MOD IV HSG.)
- 2 CONTACT: $.000100$ -. $.000200$ BRIGHT TIN-LEAD OVER $.000050$ NICKEL
- 3 CONTACT: $.000100$ -. $.000200$ MATTE TIN OVER $.000050$ NICKEL



| | | | | | | | |
|--|--|------|-----------|---|--|--|--|
| THIS DRAWING IS A CONTROLLED DOCUMENT. | | DWN | 12 SEP 75 | Tyco Electronics Corporation Harrisburg, Pa 17105-3608 | | | |
| DIMENSIONS: INCHES | | CHK | 12 SEP 75 | NAME | | | |
| TOLERANCES UNLESS OTHERWISE SPECIFIED: | | APVD | 15 SEP 75 | PRODUCT SPEC | | | |
| 0 PLC ± - | | | | APPLICATION SPEC | | | |
| 1 PLC ± - | | | | WEIGHT | | | |
| 2 PLC ± - | | | | SCALE 3:1 | | | |
| 3 PLC ± .005 | | | | SHEET 1 OF 2 | | | |
| 4 PLC ± - | | | | REV M | | | |
| ANGLES ± - | | | | CUSTOMER DRAWING | | | |
| FINISH SEE TABLE | | | | SIZE A2 CAGE CODE 00779 DRAWING NO C=87587 RESTRICTED TO | | | |
| MATERIAL HSG: GLASS FILLED NYLON COLOR: BLACK CONTACT: PHOS BRONZE | | | | SCALE 3:1 SHEET 1 OF 2 REV M | | | |

87587


THIS DRAWING IS UNPUBLISHED. RELEASED FOR PUBLICATION
 © COPYRIGHT BY TYCO ELECTRONICS CORPORATION. ALL RIGHTS RESERVED.

| LOC | DIST | REVISIONS | | | | | |
|-----|------|-----------|-----|-------------|------|-----|------|
| AD | 00 | P | LTR | DESCRIPTION | DATE | DWN | APVD |
| | | - | | SEE SHEET 1 | - | - | - |

| | | | | | | | |
|---------|-------|------|-------|----|-------|-------------|-----------|
| 3 | - | .190 | .300 | 3 | .600 | 8 | 8-87587-4 |
| 3 | - | .190 | .200 | 2 | .500 | 6 | 8-87587-3 |
| 3 | 3.490 | .190 | 3.500 | 35 | 3.800 | 72 | 8-87587-2 |
| 3 | 3.390 | .190 | 3.400 | 34 | 3.700 | 70 | 8-87587-1 |
| 3 | 3.290 | .190 | 3.300 | 33 | 3.600 | 68 | 8-87587-0 |
| 3 | 3.190 | .190 | 3.200 | 32 | 3.500 | 66 | 7-87587-9 |
| 3 | 3.090 | .190 | 3.100 | 31 | 3.400 | 64 | 7-87587-8 |
| 3 | 2.990 | .190 | 3.000 | 30 | 3.300 | 62 | 7-87587-7 |
| 3 | 2.890 | .190 | 2.900 | 29 | 3.200 | 60 | 7-87587-6 |
| 3 | 2.790 | .190 | 2.800 | 28 | 3.100 | 58 | 7-87587-5 |
| 3 | 2.690 | .190 | 2.700 | 27 | 3.000 | 56 | 7-87587-4 |
| 3 | 2.590 | .190 | 2.600 | 26 | 2.900 | 54 | 7-87587-3 |
| 3 | 2.490 | .190 | 2.500 | 25 | 2.800 | 52 | 7-87587-2 |
| 3 | 2.390 | .190 | 2.400 | 24 | 2.700 | 50 | 7-87587-1 |
| 3 | 2.290 | .190 | 2.300 | 23 | 2.600 | 48 | 7-87587-0 |
| 3 | 2.190 | .190 | 2.200 | 22 | 2.500 | 46 | 6-87587-9 |
| 3 | 2.090 | .190 | 2.100 | 21 | 2.400 | 44 | 6-87587-8 |
| 3 | 1.990 | .190 | 2.000 | 20 | 2.300 | 42 | 6-87587-7 |
| 3 | 1.890 | .190 | 1.900 | 19 | 2.200 | 40 | 6-87587-6 |
| 3 | 1.790 | .190 | 1.800 | 18 | 2.100 | 38 | 6-87587-5 |
| 3 | 1.690 | .190 | 1.700 | 17 | 2.000 | 36 | 6-87587-4 |
| 3 | 1.590 | .190 | 1.600 | 16 | 1.900 | 34 | 6-87587-3 |
| 3 | 1.490 | .190 | 1.500 | 15 | 1.800 | 32 | 6-87587-2 |
| 3 | 1.390 | .190 | 1.400 | 14 | 1.700 | 30 | 6-87587-1 |
| 3 | 1.290 | .190 | 1.300 | 13 | 1.600 | 28 | 6-87587-0 |
| 3 | 1.190 | .190 | 1.200 | 12 | 1.500 | 26 | 5-87587-9 |
| 3 | 1.090 | .190 | 1.100 | 11 | 1.400 | 24 | 5-87587-8 |
| 3 | .990 | .190 | 1.000 | 10 | 1.300 | 22 | 5-87587-7 |
| 3 | .890 | .190 | .900 | 9 | 1.200 | 20 | 5-87587-6 |
| 3 | - | .490 | .800 | 8 | 1.100 | 18 | 5-87587-5 |
| 3 | - | .390 | .700 | 7 | 1.000 | 16 | 5-87587-4 |
| 3 | - | .390 | .600 | 6 | .900 | 14 | 5-87587-3 |
| 3 | - | .290 | .500 | 5 | .800 | 12 | 5-87587-2 |
| 3 | - | .290 | .400 | 4 | .700 | 10 | 5-87587-1 |
| PLATING | E | D | C | B | A | NO OF POSN. | PART NO. |

| | | | | | | | |
|---------|-------|------|-------|----|-------|-------------|-----------|
| 2 | - | .190 | .300 | 3 | .600 | 8 | 3-87587-4 |
| 2 | - | .190 | .200 | 2 | .500 | 6 | 3-87587-3 |
| 2 | 3.490 | .190 | 3.500 | 35 | 3.800 | 72 | 3-87587-2 |
| 2 | 3.390 | .190 | 3.400 | 34 | 3.700 | 70 | 3-87587-1 |
| 2 | 3.290 | .190 | 3.300 | 33 | 3.600 | 68 | 3-87587-0 |
| 2 | 3.190 | .190 | 3.200 | 32 | 3.500 | 66 | 2-87587-9 |
| 2 | 3.090 | .190 | 3.100 | 31 | 3.400 | 64 | 2-87587-8 |
| 2 | 2.990 | .190 | 3.000 | 30 | 3.300 | 62 | 2-87587-7 |
| 2 | 2.890 | .190 | 2.900 | 29 | 3.200 | 60 | 2-87587-6 |
| 2 | 2.790 | .190 | 2.800 | 28 | 3.100 | 58 | 2-87587-5 |
| 2 | 2.690 | .190 | 2.700 | 27 | 3.000 | 56 | 2-87587-4 |
| 2 | 2.590 | .190 | 2.600 | 26 | 2.900 | 54 | 2-87587-3 |
| 2 | 2.490 | .190 | 2.500 | 25 | 2.800 | 52 | 2-87587-2 |
| 2 | 2.390 | .190 | 2.400 | 24 | 2.700 | 50 | 2-87587-1 |
| 2 | 2.290 | .190 | 2.300 | 23 | 2.600 | 48 | 2-87587-0 |
| 2 | 2.190 | .190 | 2.200 | 22 | 2.500 | 46 | 1-87587-9 |
| 2 | 2.090 | .190 | 2.100 | 21 | 2.400 | 44 | 1-87587-8 |
| 2 | 1.990 | .190 | 2.000 | 20 | 2.300 | 42 | 1-87587-7 |
| 2 | 1.890 | .190 | 1.900 | 19 | 2.200 | 40 | 1-87587-6 |
| 2 | 1.790 | .190 | 1.800 | 18 | 2.100 | 38 | 1-87587-5 |
| 2 | 1.690 | .190 | 1.700 | 17 | 2.000 | 36 | 1-87587-4 |
| 2 | 1.590 | .190 | 1.600 | 16 | 1.900 | 34 | 1-87587-3 |
| 2 | 1.490 | .190 | 1.500 | 15 | 1.800 | 32 | 1-87587-2 |
| 2 | 1.390 | .190 | 1.400 | 14 | 1.700 | 30 | 1-87587-1 |
| 2 | 1.290 | .190 | 1.300 | 13 | 1.600 | 28 | 1-87587-0 |
| 2 | 1.190 | .190 | 1.200 | 12 | 1.500 | 26 | 87587-9 |
| 2 | 1.090 | .190 | 1.100 | 11 | 1.400 | 24 | 87587-8 |
| 2 | .990 | .190 | 1.000 | 10 | 1.300 | 22 | 87587-7 |
| 2 | .890 | .190 | .900 | 9 | 1.200 | 20 | 87587-6 |
| 2 | - | .490 | .800 | 8 | 1.100 | 18 | 87587-5 |
| 2 | - | .390 | .700 | 7 | 1.000 | 16 | 87587-4 |
| 2 | - | .390 | .600 | 6 | .900 | 14 | 87587-3 |
| 2 | - | .290 | .500 | 5 | .800 | 12 | 87587-2 |
| 2 | - | .290 | .400 | 4 | .700 | 10 | 87587-1 |
| PLATING | E | D | C | B | A | NO OF POSN. | PART NO. |

THIS DRAWING IS A CONTROLLED DOCUMENT.

| | | |
|------|-----------|---|
| DWN | 12 SEP 75 |  Tyco Electronics Corporation Harrisburg, Pa 17105-3608 |
| CHK | 12 SEP 75 | |
| APVD | 15 SEP 75 | |
| NAME | | |

PRODUCT SPEC: _____
 APPLICATION SPEC: _____

SIZE: A2 CAGE CODE: 00779 DRAWING NO: C=87587 RESTRICTED TO: _____

WEIGHT: - SCALE: 1:1 SHEET 2 OF 2 REV M

MATERIAL: HSG: GLASS FILLED NYLON COLOR: BLACK CONTACT: PHOS BRONZE FINISH: SEE TABLE